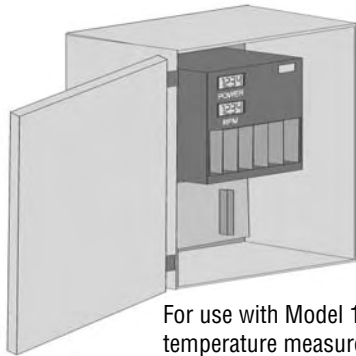


Model 1442B Receiver Display Unit

How to order: (Quick-ship range/option combinations available. See Web site.)
Enter the product order code. For example:

1442B
Order code



For use with Model 1400 temperature measurement system.

Order codes

1442B Model 1442B receiver display unit

Specifications

Performance

Voltage output	10 V into no less than 2000 ohm
Current output	4 mA to 20 mA or 0 mA to 20 mA, user selectable
Power requirements	115 Vac/230 Vac, 50 Hz/60 Hz, 200 VA

Environmental

Temperature, operating	0 °C to 65 °C [32 °F to 149 °F]
Size	355,6 mm x 304,8 mm x 152,4 mm [14 in x 12 in x 6 in]
Weight	7.3 kg [16 lb]

